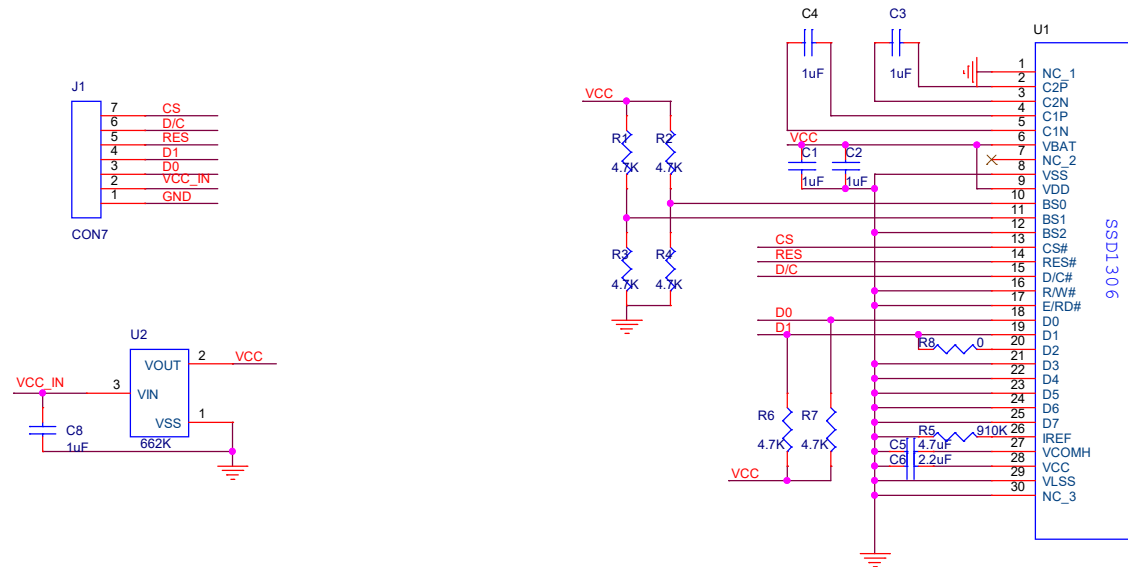


# 中景园电子0.96寸OLED显示屏模块原理图

地址: <http://shop73023976.taobao.com/?spm=alzl10.1.0.0.byBTLt>



Driving mode	R1	R2	R3	R4	R6	R7	R8
4-wire SPI			1	1			
3-wire SPI		1	1				
IIC	1			1	1	1	1

Title		
0.96" 128*64单色OLED驱动板		
Size	Document Number	Rev
B	<Doc>	V 1.0
Date:	Monday, November 03, 2014	Sheet 1 of 1